

BETRIEBSANLEITUNG
OPERATING INSTRUCTIONS
INSTRUCTIONS DE SERVICE
ISTRUZIONI D'USO
HANDLEIDING
INSTRUCCIONES PARA EL MANEJO
MANUAL DE INSTRUÇÕES
NAUDOJIMOSI INSTRUKCIJA
KASUTUSJUHEND
LIETOŠANAS INSTRUKCIJA
DRIFTSINSTRUKS
DRIFTSINSTRUKTIONER
DRIFTSVEJLEDNING
INSTRUKCJA OBSŁUGI

KEZELÉSI ÚTMUTATÓ
NÁVOD K OBSLUZE
NAVODILO ZA UPORABO
NÁVOD NA OBSLUHU
UPUTE ZA RAD
MANUAL DE OPERATII
TREORACHA OIBRIÚCHÁIN
ΟΔΗΓΙΕΣ ΧΡΗΣΗΣ
EL KITABI
ИНСТРУКЦИИ ЗА ЕКСПЛОАТАЦИЯ
ИНСТРУКЦИЯ ПО ЕКСПЛОАТАЦИИ
取扱説明書
사용설명서
使用说明书

SV 200
SV 201

MAKE IT BECKER.



 **BECKER**

1

	<table border="1"> <tr><td>REV</td><td>00000004</td></tr> <tr><td>NO</td><td>A023462</td></tr> <tr><td>Compressor / fabricant modèle</td><td></td></tr> <tr><td>Year</td><td>000</td></tr> <tr><td>Frequency</td><td>000</td></tr> <tr><td>Speed</td><td>000</td></tr> <tr><td>Pressure/ Vacuum</td><td>000</td></tr> <tr><td>Rated capacity</td><td>000</td></tr> <tr><td>Efficiency</td><td>000</td></tr> <tr><td>Weight</td><td>000</td></tr> </table>	REV	00000004	NO	A023462	Compressor / fabricant modèle		Year	000	Frequency	000	Speed	000	Pressure/ Vacuum	000	Rated capacity	000	Efficiency	000	Weight	000
REV	00000004																				
NO	A023462																				
Compressor / fabricant modèle																					
Year	000																				
Frequency	000																				
Speed	000																				
Pressure/ Vacuum	000																				
Rated capacity	000																				
Efficiency	000																				
Weight	000																				
 DIN EN ISO 11203 Accuracy Class 2 $K_{PA} = 3 \text{ dB(A)}$ $r = 1\text{m}$	SV 200/1 (Pressure) ▶ 50/60 Hz, +175/-155 mbar $L_{PA} = 64.6/68.2 \text{ dB(A)}$																				
	SV 200/1 (Vacuum) ▶ 50/60 Hz, -145/-165 mbar $L_{PA} = 63.9/69.2 \text{ dB(A)}$																				
	SV 200/2 (Pressure) ▶ 50/60 Hz, +275/+300 mbar $L_{PA} = 64.5/67.6 \text{ dB(A)}$																				
	SV 200/2 (Vacuum) ▶ 50/60 Hz, -230/-245 mbar $L_{PA} = 63.7/68.4 \text{ dB(A)}$																				

2

static inst. ①-④		dynamic installation
The pump must be securely mounted at the place of installation. Physical tension on the blower housing must be avoided.		
SV 200	SV 201	 28 kg 62 lbs

3


 40°C/104°F 15°C/59°F 1~ -10°C/14°F 3~	 optional en option optionale optional filter
INLET AIR 40°C/104°F 0°C/32°F	A > 100mm B > 295mm A > 4" B > 11½"
 max. 800m	 A
 max. 90%	 A


4


5

 VACUUM		 PRESSURE
	optional en option optionale optional	 >100°C >212°F

6

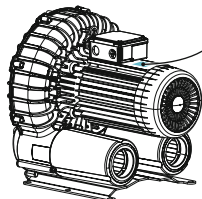








Frequency > 60Hz
Please consult **BECKER**

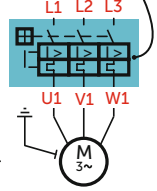
BECKER		Max No. 3000000	EN 60000	CE
50 Hz	3000V	3000V	3000V	
230/240/250 V A	200 V A	1500/1600/1700 V A	1500/1600/1700 V A	
3000/3600 A	3000 A	3000/3600 A	3000/3600 A	
1000/1000/1000	1000/1000/1000	1000/1000/1000	1000/1000/1000	300 kg



7





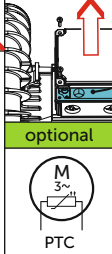


3~

L1 L2 L3

U1 V1 W1

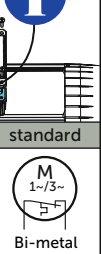
M 3~



optional

M 3~

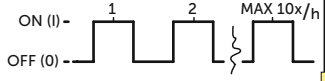
PTC



standard

M 1-3~

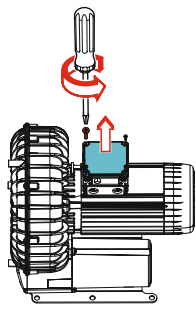
Bi-metal

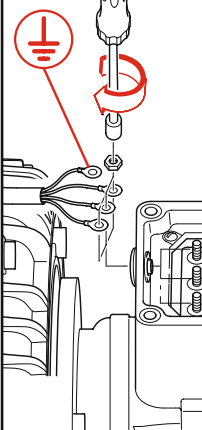


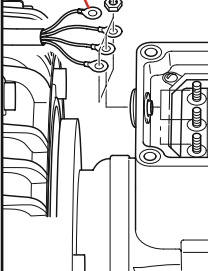
ON (I) - 1 2 MAX 10x/h

OFF (0) -


8




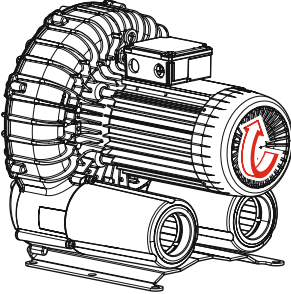


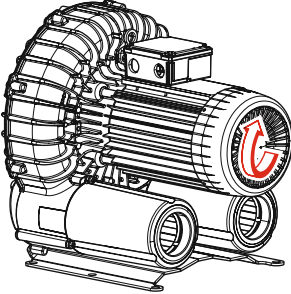


9











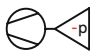
10



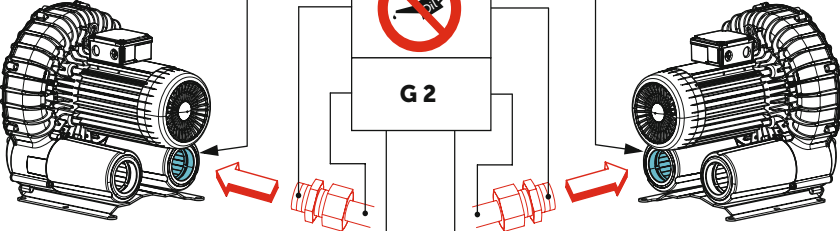
PRESSURE



G 2






VACUUM


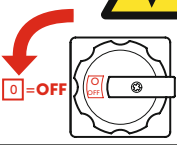





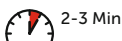



11

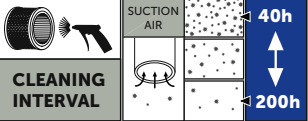
Maintenance

12

13

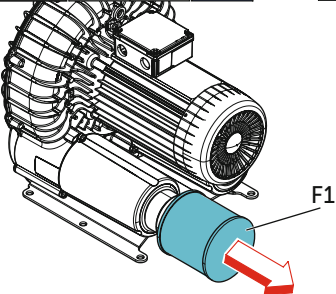


CLEANING INTERVAL

40h
↑
↓
200h

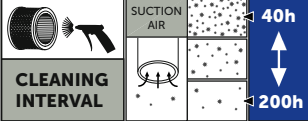
SUCTION AIR

optional
en option
opcionale
opcional



F1

14



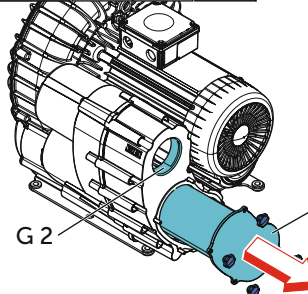
CLEANING INTERVAL

40h
↑
↓
200h

SUCTION AIR

VACUUM
PRESSURE

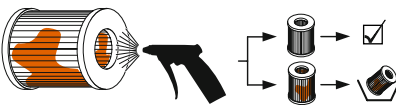
optional
en option
opcionale
opcional



G 2

F2

15




F1: PRESSURE

No.: 74000501000




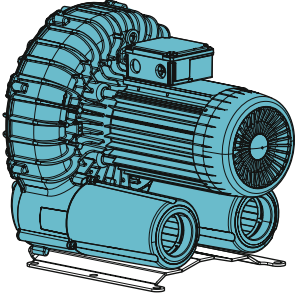
F2: VACUUM
+ PRESSURE

No.: 90951070000



EN149 - FFP3
42 CFR 84 - N100

16

17



WWW.BECKER-INTERNATIONAL-SHOP.COM

Gebr. Becker GmbH
Hoelker Feld 29-31
42279 WUPPERTAL
GERMANY
info@becker-international.com
www.becker-international.com





MAKE IT BECKER.

28100060200 | 2021-01-18 | All rights reserved